



# High purity pumps

高洁净泵

0.3.8

东正一直致力于技术革新  
是您值得信赖的事业伙伴  
**Donjoy has been committed to  
technical innovation, is your trustworthy  
business partner!**

目录册技术资料仅供参考，  
东正保留更新和升级的权利，恕不另行通知！

Catalogue technical information only for reference.  
Donjoy reserves the rights to update and upgrade  
without prior notice.

**法律声明:**

目录样册版权归东正所有，  
如有抄袭，必将追究其法律责任和经济赔偿。  
东正已获得国家版权局书刊号。  
东正诸多产品技术，都具有专利保护，  
如有抄袭，必将追究法律责任和经济赔偿。

**Legal statement:**

Copyright of the catalogue belongs to Donjoy.  
If there is plagiarism, it will be investigated for legal  
responsibility and economic compensation.  
Donjoy has been granted publications number by  
Chinese National Copyright.  
Donjoy products and technology are with patent protection.  
If there is plagiarism, it will be investigated for legal  
responsibility and economic compensation.

# 温州空港新区总部生产基地 Wenzhou airport economic zone production base



占地面积约29000m<sup>2</sup>，总投资约1.2亿RMB，约2000万USD。

Covering an area of 29000 m<sup>2</sup>, with total investment after construction is expected to 120 million yuan, about 20 million USD.



# 领先源于创新 创新源于专业

## 东正的专业与品质的邂逅源于创新的精神

东正创立于1993年，注册资本6088万(约1000万USD)，是一家专注于高精度PID阀门定位器，阀门控制单元，阀门位置反馈器、智能自控阀、比例调节阀、过程控制阀、高洁净泵、均质混合泵、清洗技术、压力容器和管道安全控制技术、高洁净管材和管道配件，集研发、生产与销售为一体的国家高新技术企业。产品用途涉及行业和领域有生物制药、食品饮料、酿酒、精细化工等工业领域。东正领先的技术和持续创新解决方案，对满足全球，尤其是新兴市场不断增长生物制药和食品饮料行业的需求起到了积极作用。

东正制造的产品母材料、加工技术、焊接技术、表面处理等技术指标均已达到国际领先水平。且符合ASME BPE、EHEDG、FDA、3A等一系列国际标准和规范要求。先后通过了由德国 TÜV 机构实施的欧盟承压设备指令(PED-97/23/EC)和(MD-06/42/EC)认证；美国 3A机构实施的3-A卫生标准认证；中国安全阀特种制造设备(TS)许可证和中国质量认证中心CQC ISO9001:2015 质量管理体系认证等多项国际权威认证。

东正凭借领先的技术、优异的品质和完善的售后服务体系，公司荣获为《国家高新技术企业》，《浙江省著名商标》、《科技型企业》、《创新型企业》、《专利示范企业》、《研发中心企业》，《守合同重信用AAA企业》等众多荣誉称号。







## Leading from innovation, innovation from the professionalism! Donjoy's professionalism and quality come from the spirit of innovation!

Donjoy was founded in 1993, with registered capital RMB 60.88 million (about 10million USD) We focus on developing high-precision PID valve positioner, Valve Control unit, Valve Position feedback device, intelligent automatic control valve, proportional valve, process control valve, high purity pump, homogeneous mixing pump, cleaning technology, pressure vessel, pipeline safety control technology, high clean pipe fitting&pipeline accessories and integrating r&d, production and sales as an integrated national high-tech enterprises. Donjoy's products are widely used in bio-pharmaceutical, food and beverage, wine, fine chemicals and other industrial fields. Donjoy's leading technology and innovation solutions meets growing demand in the industry of bio-pharmaceutical, food and beverage from the whole world, special emerging market.

Raw material, processing technology, welding technology, surface treatment and other technology from Donjoy have achieved advanced level in international market. It also complies with a series of international standards and specifications such as ASME BPE, EHEDG, FDA and 3A , It has passed the EU Pressure Equipment Directive (PED-97/23/EC) and (MD-06/42/EC) issued by the German TÜV organization; the 3-A health standard certification issued by the 3A organization; China Safety Valve Special Manufacturing Equipment (TS) License , China Quality Certification Center (CQC) and Quality Management System Certification (ISO9001:2015) and many other international authoritative certifications.

With advanced technology, excellent quality and perfect after-sales service system, Donjoy was awarded as National High-tech Enterprise, Provincial Famous Trademark, Science and Technology Enterprise, Innovative Enterprise, Patent Demonstration Enterprise, R & D Center Enterprise, AAA Credit Enterprise and many other honorary.





全面的创新技术能力  
为您带来创造性的解决方案



## Comprehensive innovation technology, capabilities Bring you creative solutions

东正拥有诸多领先的产品技术，如各种比例调节阀、过程自控阀、生物制药隔膜阀、防混双座阀、压力容器和管道安全控制技术、清洗技术、高洁净转子泵、螺杆泵、离心泵、自吸泵、均质乳化泵、均质混合泵、卫生管件和无菌管件等.....

Donjoy owes many leading technology products, such as various proportioning regulating valve, process automatic control valve, pharmaceutical diaphragm valve, mixed double seat valve, pressure vessel and pipeline safety control technology, clean technology, high cleanliness rotor pump, screw pump, centrifugal pump, self-priming pump, homogeneous emulsion pump, homogeneous mixing pump, sanitary fittings, aseptic pipe fittings and so on.



企业的成功源于创新。东正的成功基于创始人“开拓创新、追求卓越”的创新精神，1994年东正开发了第一只高洁净的蝶阀，这只蝶阀是东正的起始点。

控制器的研发成就完美的过程自动控制，2004年东正成功研发了技术领先的阀门定位器、阀门控制单元。

高洁净泵的研发确保物料输送的洁净，2006年东正成功研发了高精度的转子泵、离心泵、混合泵、自吸泵。

我们一直走在行业与时代的前沿，把不断革新、日新月异的市场发展和客户需求作为自身最大的挑战。东正有自己的独立的思维和视野，始终保持领先致力于产品在新经济领域中的开发和应用。未来我们将一如既往的坚持以技术创新、以顾客为导向走向新的成功。



Success of an enterprise stems from innovation. Donjoy's success is based on the founder's innovative spirit of "pioneering innovation and pursuing excellence". In 1994, Donjoy developed the first highly purity butterfly valve, which was the starting point of Donjoy.

Research and development of the controller achieves perfect automatic process control. In 2004, Donjoy has successfully developed advanced valve positioner and valve control unit.

Research and development of high purity pump to ensure the purity of medium transportation. In 2006, Donjoy has successfully developed high precision lobe pump, centrifugal pump, mixing pump and self-priming pump.

We are always at the forefront of the industry and times, taking the continuous innovation of technology, rapid market development and customer demand as our biggest challenge. Donjoy has its own independent thought and horizons, and always maintains a leading position in the development and application of products in the new economic field. In future, we will continue to adhere to technological innovation and customer-oriented towards new success.





## 精益加工车间 Lean processing workshop



东正以科学技术领先为第一生产力，也是企业核心竞争力。只有不断投入核心技术研发和创新，不断追求卓越、精益求精、以先进生产设备，严格的质量管理体系，严谨的检测流程、保证每款产品的优良性能。

Donjoy takes leading in science and technology as the first productivity as well as the core competitiveness of the enterprise. With continuous investment in core technology research, development and innovation; constant pursuit of prominence and excellence; advanced production equipment; strict quality management system; and rigorous testing process, we ensure excellent quality and performance of every product.





机器人生产线 Robot production line



# 装配车间 Assembly workshop





# 荣誉与资质 Honor and qualification

	<p><b>3A</b></p> <p>东正是美国3A认证组织的成员。3A是一个自愿组织，致力于维护公共卫生和奶制品产品质量通过独特的行业监管程序的设备，用于处理乳制品的卫生标准3-A。</p> <p>Donjoy is a member of US 3A Certification Organization, 3A is a voluntary organization dedicated to maintaining the quality of public health and dairy products through a unique industry regulatory process for the treatment of dairy product hygiene standards 3-A.</p> <ul style="list-style-type: none"> <li>◆54-02 (Diaphragm-Type Valves)-NUMBER: 1580-隔膜阀</li> <li>◆02-11 (Centrifugal and Positive Rotary Pumps) NUMBER: 1579-高洁净泵</li> <li>◆85-03 (Double-Seal Mixproof Valves) NUMBER: 1797-双座防混阀</li> <li>◆64-03 (Pressure Reducing and Back Pressure Regulating Valves ) NUMBER: 1764-减压阀&amp;调节阀</li> <li>◆53-05 (Compression-Type Valves) -NUMBER: 1782-单座阀(单向阀)</li> <li>◆68-03 (Ball-Type Valves) NUMBER: 1785-球阀</li> <li>◆55-02 (Boot Seal-Type Valves) NUMBER: 1783-无菌取样阀</li> <li>◆04-02 (Personnel Access Ports for Wet Applications) NUMBER: 1786-人孔。</li> <li>◆63-03 (Sanitary Fittings) NUMBER: 1581-卫生管件</li> </ul>
	<p><b>PED/97/23/EC&amp;MD/06/42/EC</b></p> <p>由德国TÜV机构实施的欧盟承压设备安全指令 (PED-97/23/EC)，机械安全指令MD-06/42/EC。</p> <p>EU Pressure Equipment Safety Directive (PED-97/23/EC), Machinery Safety Directive MD-06/42/EC, implemented by TÜV, Germany.</p> <ul style="list-style-type: none"> <li>◆MD/06/42/EC NUMBER: 705201402401-00 - LOBE PUMP转子泵 ◆MD/06/42/EC NUMBER: 705201616101-00 - Centrifugal pump 离心泵</li> <li>◆PED/97/23/EC NUMBER: DGR - 0036-QS-1153-14-Valves 阀门系列</li> </ul>
	<p><b>安全阀特种制造许可证(TS) Safety valve special manufacturing license</b></p> <p>东正通过了安全阀特种制造许可证，目前是国内首家通过“高洁净安全阀特种制造许可证”的企业(安全附件及安全保护装置)。</p> <p>◆其证书编号：TSF 733008-2019</p> <p>Donjoy has passed the safety valve special equipment manufacturing license. Recently, is the first enterprise in China to pass the "Special Manufacturing License for High Clean Safety Valves" (safety accessories and safety protection devices). ◆Certificate number: TSF 733008-2019</p>
	<p><b>FDA.177.2600</b></p> <p>东正制造的高洁净阀门和泵以及流体设备等，与物料接触密封面全部通过或符合美国食品和药品管理局和联邦法规第21条即，CFR 21 FDA177.2600和FDA177.1550认证，其涵盖：EPDM VITON (FPM) SILICON HNBR 等橡胶和PTFE 塑料材料。 ◆符合美国 3-A-18-03-CLASS - II</p> <p>The seals of Donjoy's high-cleaning valves, pumps and fluid equipment that contact with material, all pass or comply with the US Food and Drug Administration and Federal Regulations issue 21, i.e. CFR 21 FDA177.2600 and FDA177.1550 certification. The seals cover : EPDM, VITON (FPM), SILICON, HNBR and other rubber &amp; PTFE plastic material. ◆Meets US 3-A-18-03-CLASS - II</p>
	<p><b>ISO-9001-2015</b></p> <p>东正通过中国质量认证中心CQC ISO9001-2015/GB/T19001-2015企业质量管理体系认证。 ◆其证书编号：00117Q38464R4M/3302</p> <p>Donjoy passed the China Quality Certification Center CQC, ISO9001-2015/GB/T19001-2015 enterprise quality management system certification. ◆Its certificate number is 00117Q38464R4M/3302.</p>
	<p><b>卫生许可证 Hygiene License</b></p> <p>东正通过了省卫生厅卫生阀门、卫生管件等检验且获得了其颁发的证书。 ◆其批准文号：第0056号</p> <p>Donjoy passed the inspection of sanitary valves and sanitary fittings of the Provincial Health Department and obtained the certificate issued by it. ◆Its approval number: No. 0056</p>
	<p><b>国家高新技术企业 National High-Tech Enterprise</b></p> <p>东正，经过20余年发展和技术研发，2011年被评定为国家高新技术企业。</p> <p>Donjoy, after more than 20 years of development and technology research &amp; development, was assessed as a national high-tech enterprise in 2011.</p>
	<p><b>浙江省著名商标 Zhejiang province famous trademark</b></p> <p>东正，凭借先进的技术、优良的品质和完善的售后服务体系，2012年被浙江省工商厅评定为浙江省著名商标。</p> <p>Donjoy, by virtue of advanced technology, excellent quality and perfect after-sales service system, was recognized as a famous trademark of Zhejiang Province by the Industrial and Commercial Bureau of Zhejiang Province in 2012.</p>

东正不但拥有以上认证和荣誉，且被评定为省科技型、创新型、专利示范、研发中心、重合同守信用等诸多荣誉。并拥有100多项专利技术。

Donjoy not only owes above certification and honors, but also has been evaluated as provincial science and technology type, innovation, patent demonstration, research and development center, contract keeping and other honors. It also owes more than 100 patented technologies.

## 荣誉与资质 Honor and qualification



东正不但拥有以上认证和荣誉，且被评定为省科技型、创新型、专利示范、研发中心、重合同守信用等诸多荣誉。并拥有100多项专利技术。

Donjoy not only owes above certification and honors, but also has been evaluated as provincial science and technology type, innovation, patent demonstration, research and development center, contract keeping and other honors. It also owes more than 100 patented technologies.



# 工艺管道连接对泵使用的影响

## The effect of pipe connection on pump usage




ABB  
IE2 IEC 60034-1  
3-Motor

No.	V	Hz	kw	r/min	A	cosφ	F	IP55
	230△	50	1.5	1441	6.11	0.74	S1	
	400 Y	50	1.5	1441	3.53	0.74	S1	
	230△	50	1.5	1435	6.10	0.78	S1	
	380 Y	50	1.5	1435	3.53	0.78	S1	
	460 Y	60	1.5	1741	3.22	0.70	S1	
	440 Y	60	1.5	1735	3.17	0.74	S1	

50Hz:IE2-82.8(100%)  
60Hz:IE2-84.0(100%)  
Prod.code 3GBA092510-ASCCN  
6205-2Z/C3 6024-2Z/C3 23 kg

说明：铭牌图片仅供格式参考，最终数据以实际铭牌为准。  
Remark: The format of the rating plate is for reference only, the final figure will be subject to the actual rating plate.

### 宽电压电机 Wide Voltage Motor

功率 Power(KW)	电压范围 Voltage	功率 Power(KW)	电压范围 Voltage
0.55	210V-230V/50HZ	4.0-5.5	360V-400V/50HZ
0.75		7.5-11	
1.1-1.5	420V-460V/60HZ	15-18.5	420V-460V/60HZ
2.2-3.0		22-30	

注意：电机采用 IEC EN IE2 能效等级，PTC 热敏电阻。（相当于中国二级能效）  
Note: The motor adopts IEC EN IE2 energy efficiency class, PTC thermistor. (Corresponding to China level two energy efficiency)  
注意：其他电机功率、电压、频率等，请联系东正。  
Note: Other motor power, voltage, frequency, etc., please contact DONJOY

### O型圈配置 O-ring Configuration

我们所采用密封橡胶都符合 FDA 177.2600; 3-A-18-03; Class II; USP Class VI Chapter 88 GB 4806.11; 等各种卫生高洁净的要求。

EPDM=标准

适用范围：温度 -10°C 到 130°C; PH 值约 5-9, 可耐受各种卫生领域介质及工业化学品, 成本低(推荐)。

FKM(Viton)=选项

适用范围：温度 -10°C 到 150°C; 可耐受各种卫生领域介质及工业化学品、油品等各种介质。

FFKM=选项

适用范围：温度 -30°C 到 250°C; 可耐受各种卫生领域介质及工业化学品、油品等各种介质, 几乎可以涵盖所有介质, 成本较高。

HNBR=选项

适用范围：温度 -10°C 到 150°C; 可耐受各种卫生领域介质及工业油品等各种介质, 特别适用于油品。

The sealing rubbers we use are in compliance with hygienic and high purity requirements, such as FDA 177.2600; 3-A-18-03; Class II; USP Class VI Chapter 88 GB 4806.11 and so on.

EPDM=Standard

Scope of application: Temperature -10 °C to 130°C; PH value about 5-9, can tolerate with various media in the health field and industrial chemicals, low cost (recommended)

FKM(Viton)=Option

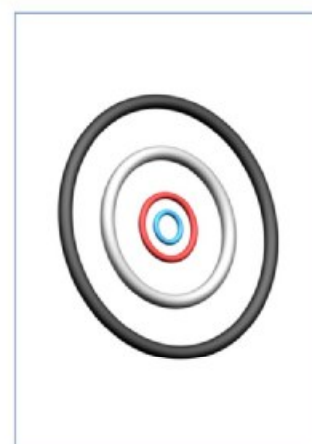
Scope of application: Temperature -10°C to 150 °C; can tolerate with various media in the health field, industrial chemicals, oils and so on.

FFKM=Option

Scope of application: Temperature -30°C to 250°C; can tolerate with various media in the health field, industrial chemicals, oils, etc., can cover almost all media, higher cost

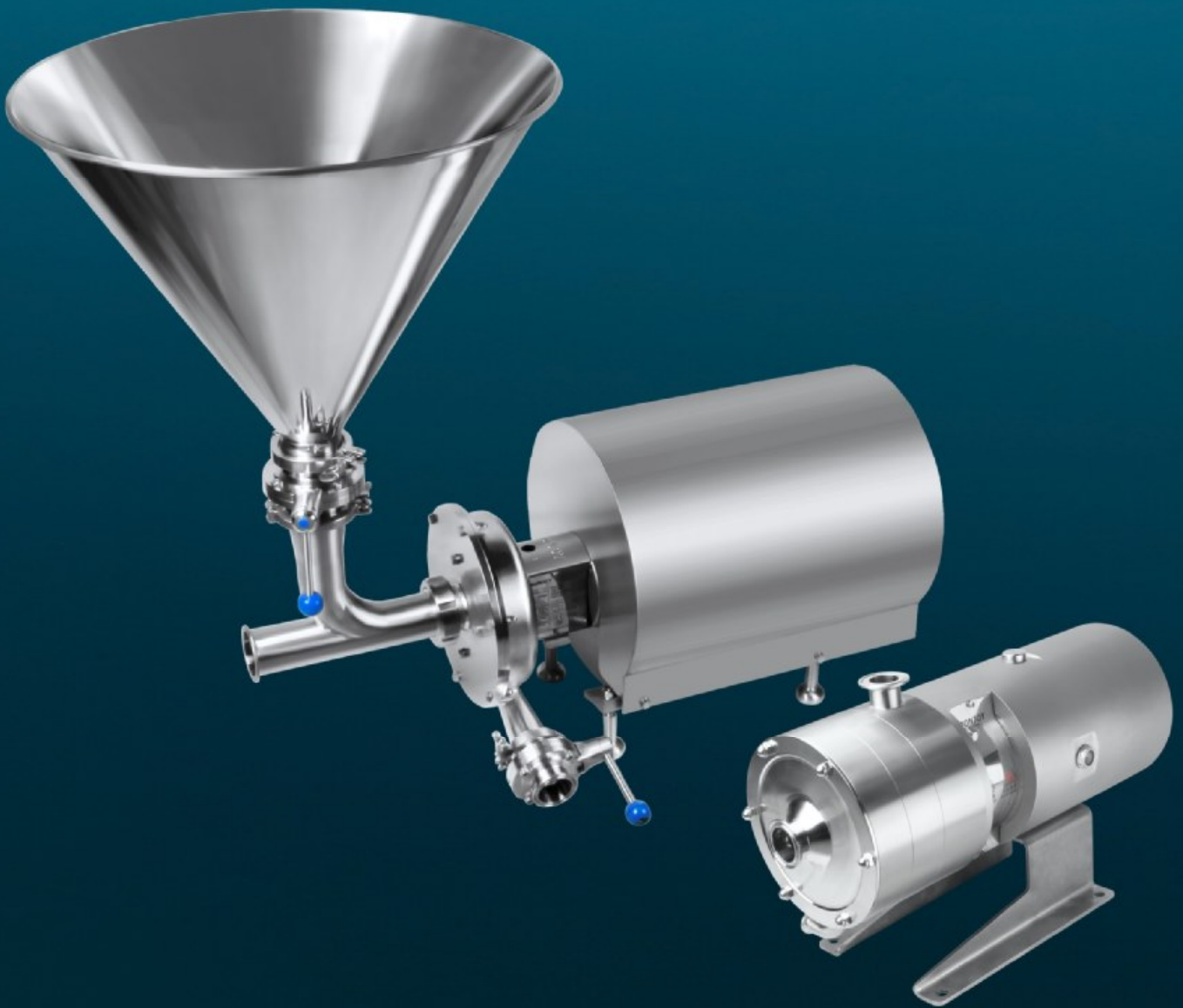
HNBR=Option

Scope of application: Temperature -10 °C to 150°C; can tolerate with various media in the health field, industrial oils, etc., especially suitable for oil products.



# Emulsifying homogenizing pump series

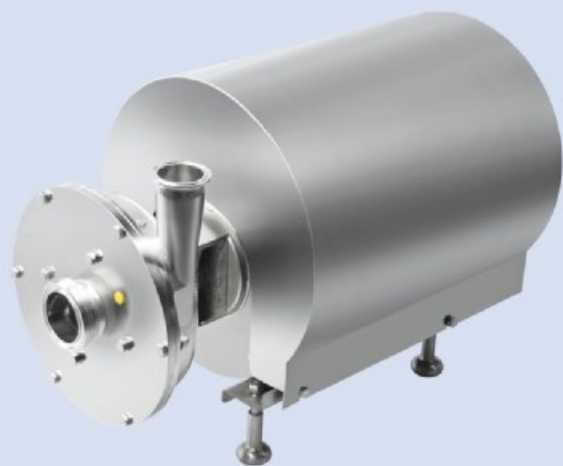
乳化均质泵系列





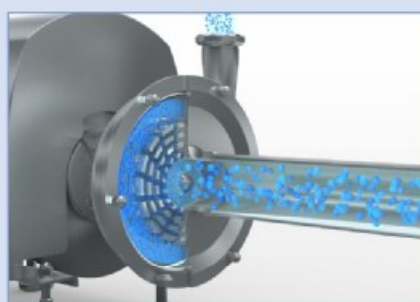
# DJ-JZ1 系列单级乳化均质泵

## DJ-JZ1 series single stage emulsifying homogenizing pump



高效、分散、剪切、细化、破碎、  
乳化、混合、均质、高洁净的解决方案

Solutions for high-efficiency, dispersion, cut, refinement, smash, emulsification, mixing, homogenization, high purity



JZ1系列是一款由定子和转子组成的在线连续性生产的乳化均质泵，被处理的物料将经过6-10层转子和定子被逐级分散、剪切、细化、破碎、乳化、混合、均质等。该泵相比较传统生产工艺更加简单方便和优化，提高了生产效率、提升了被处理物料的质量。主要应用于，食品、饮料、制药、保健、精细化工、涂料、农药、日化洗涤、造纸等各种工业领域。

JZ1 series is emulsifying homogenizing pump that could be operated for continuous production, and is composed of stator and rotor. The processed media will be operated through 6-10 layers stators and rotors, and then be dispersed, cut, refined, smashed, emulsified, mixed etc. step by step. Compared with traditional manufacturing technique, this pump is more easier, convenient and optimized, which has improved production efficiency and promoted media quality. It's mainly used in the industry of food, beverage, pharmacy, health protection, fine chemistry, coating, pesticide, daily chemical, papermaking, etc.

### 技术参数 Technical Specifications

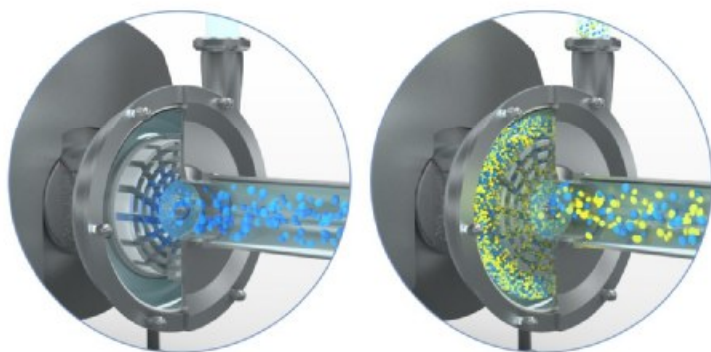
最大流量 Max flow rate	40m <sup>3</sup> /h
最大功率 Max power	45KW
最高温度 Max temperature	-20°C to 140°C
物料细化 Media refinement	≤ 60 GRIT (≈ 300 μm) ≤ 60目(约300 μm)
材质 Material	304 /316L,1.431/1.4404,ASME BPE 316L ,1.4435 NB2 Fe≤0.5%
表面处理 Surface treatment	≤ Ra0.8 μm, ≤ Ra0.6 μm, ≤ Ra0.4 μm
机封 Mechanical seal	单机封和双机封 Single and double mechanical seals
机封组合 Mechanical seal combination	详见配置表 See configuration table
进/出口连接 Inlet/Outlet connection	螺纹、卡箍、法兰、无菌法兰 Thread, clamp, flange, Aseptic flange
认证 Certification	3-A-02-11(N.O.1579); MD/06/42-EC (N.O.70521616101-00); FDA 177.2600; USP CLASS-II; EG/VO1935/2004;

# DJ-JZ1 系列单级乳化均质泵

## DJ-JZ1 series single stage emulsifying homogenizing pump



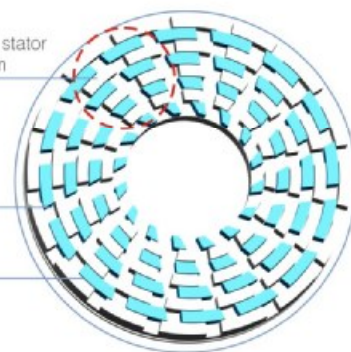
非常简单的维护、  
无需专用工具、专业人员  
Very simple maintenance,  
no special tools required, no  
professionals required



定子和转子之间的  
间隙0.5mm  
The gap between the stator  
and the rotor is 0.5mm

定子 Stator

转子 Rotor



### 技术优势

- 维护拆卸和安装时，无需专业人员和专用工具，即可完成。
- 初始使用安装调试时，即使出现短暂反向旋转也不会损坏。
- 叶轮和轴之间是通过键槽连接固定，叶轮和机封动环之间是通过销钉固定，机封静环和泵体之间是通过异形法兰固定。
- 兼容单机封和双机封，只需要更换机封即可实现。

### Technical Advantages

- Maintenance disassembly and installation can be completed without professional staff and special tools.
- Initial use of installation debugging, even if a short reverse rotation will not be damaged.
- Impeller and shaft are connected by keyway; impeller and mechanical seal rotating ring are connected by pin; mechanical seal static ring and pump body are connected by special-shaped flange.
- Compatible with single and double machine seal, only need to change machine seal.



# DJ-JZ1 系列乳化均质泵不同的接口

## DJ-JZ1 series emulsifying homogenizing pump connection



手轮螺母  
Hand wheel nut



由任螺母  
Union nut inlet / outlet



螺纹接口  
Threaded inlet / outlet



卡箍连接  
Clamp inlet/outlet



无菌法兰(DIN 11864)进/出口  
Aseptic Flange (DIN 11864)  
Inlet/Outlet



90° ...0° 倾斜出口  
90° ...0° inclined outlet



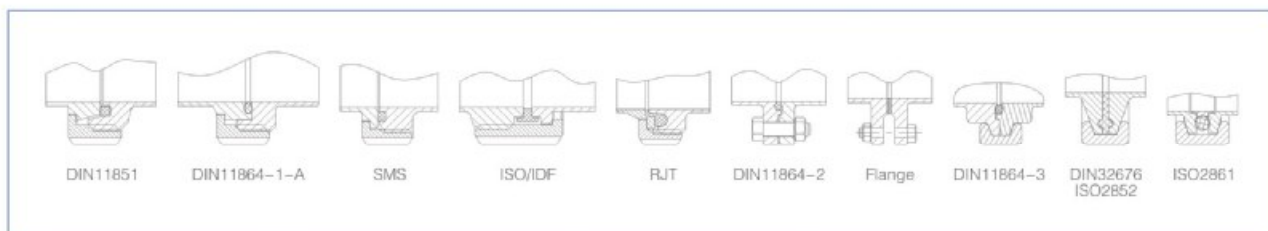
90° ...135° 倾斜出口  
90° ...135° inclined outlet

### 泵进口/出口连接标准

连接方式：螺纹 卡箍 法兰 无菌法兰 KF等。  
标准：DIN SMS ISO IDF RJT ASME BPE 3A I-line

### Pump Inlet/outlet Connection Standard

Connection: Thread, Clamp, Flange, Aseptic flange, KF etc.  
Standard: DIN SMS ISO IDF RJT ASME BPE 3A I-line



DJ-JZ1 系列乳化均质泵不同的接口  
DJ-JZ1 series emulsifying homogenizing pump connection





# 典型应用行业 Typical applications



## 食品饮料 Food & beverage

果汁、果酱、冰淇淋、乳制品、食品添加剂、茶饮料、巧克力、豆奶、香精、乳制品。

Juice, jam, ice cream, dairy products, food additives, tea drinks, chocolate, soymilk, essence.



## 日用化工 Daily chemical

液体洗涤剂、洗手液、洗面乳、硅油乳化、日用香精、护肤品、化妆品。

Liquid detergent, liquid soap, facial cleanser, emulsified silicone oil, fragrance compound, skin care product, cosmetics.



## 生物制药 Bio-pharmaceutical

注射剂、抗生素、药乳液、药乳膏、保健品、微胶囊乳化、细胞组织破碎等。

Injection, antibiotic, medicine emulsion, medicine emulsifiable paste, health care products, microcapsula emulsification, cell tissue smash etc.



## 造纸 Papermaking

纸浆、填料、干强剂、湿强剂、施胶剂、助留助滤剂、消泡剂、涂布、水处理化学品等。

Paper pulp, padding, dry strength agent, wet strength agent, sizing agent, retention and drainage aid, antifoaming agents, coating, water treatment chemicals etc.



## 石油化工 Petrochemical industry

润滑油、重油乳化、柴油乳化、改性沥青、催化剂、蜡乳剂等各种工业石油化工所需均质和乳化的介质。

Lubricant, heavy oil emulsification, diesel oil emulsification, modified asphalt, catalyzer, wax emulsion etc. Which media need to be emulsified and homogenized.



## 精细化工 Fine chemical engineering

颜料、染料、塑料助剂、纺织助剂、胶粘剂、树脂乳化、热熔胶、密封胶、胶水、浆料、整理剂、表面活性剂、均染剂、炭黑分散、防粘剂、织物整理剂、光亮剂、皮革助剂、颜料膏等各种化工类所需的乳化和均质及混合物料等；

Pigment, dyestuff, plastic additive, textile assistant, adhesive, resin emulsification, hot melt adhesive, sealant, glue, sizing agent, finishing agent, surfactant, dye leveller, carbon black dispersion, anti-sticking agent, textile finishing agent, brightener, leather auxiliaries, pigment paste etc. Which media need to be emulsified and homogenized.



## 涂料和油墨 Coating & ink

印刷油墨、油漆、乳胶漆、涂料、纳米涂料、光固化涂料、涂料阻剂、炭黑分散、釉、膨润土等。

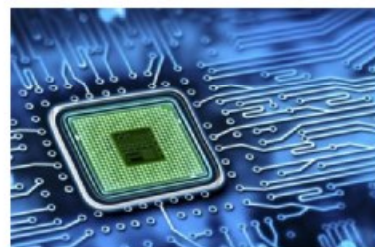
Printing ink, oil paint, emulsion paint, coating, nano-paint, photocurable coating, coating adhesive, carbon black dispersion, glaze, bentonite etc.



## 农药 Pesticide

杀虫剂、除草剂、农药乳油、肥料、农药助剂等各种农药所需乳化和均质混合的介质。

Insecticide, herbicide, pesticide missible oil, fertilizer, inert ingredient etc which media need to be emulsified and homogenized.



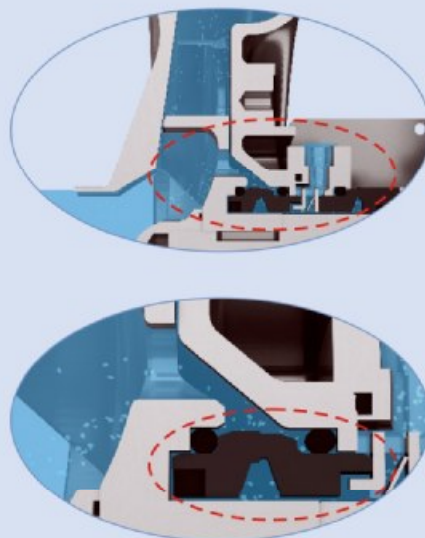
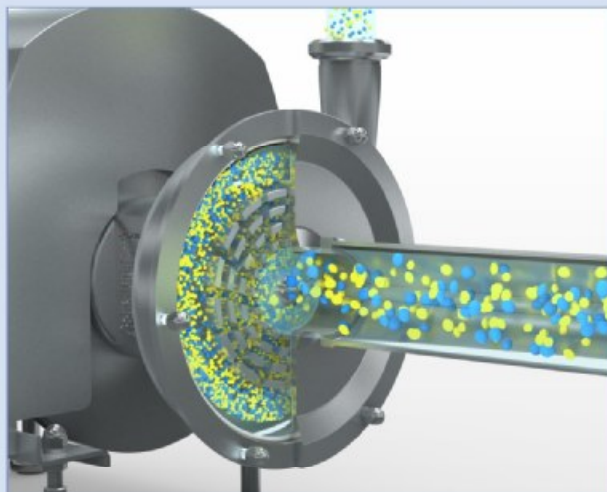
## 半导体 Semiconductor

纳米材质分散、解聚等。

Dispersion & depolymerization of nanometer materials etc.

# DJ-JZ1 系列乳化均质泵机封设计

## DJ-JZ1 series emulsifying homogenizing pump mechanical seal design



### 机封系统

DONJOY DJ-JZ1 系列乳化均质泵机封，联合欧洲瑞典著名公司合作研发，机封设计具有压力平衡设计、超长使用寿命、极易拆装维护、无需特殊专用工具，卫生洁净符合和认证：欧盟 EHEDG，美国 3-A-02-11，FDA1772600 等高洁净要求。并有丰富的机封配置方案。

### Mechanical Seal Features

Donjoy DJ-JZ1 series emulsifying homogenizing pump mechanical seal is researched and developed together with European Swedish famous company. The mechanical seal is designed with pressure balance and super long working life, can be disassembled and maintained easily without special tools. The sanitary purity is according to EU EHEDG, USA 3-A-02-11, FDA1772600 and so on, and has lots of configuration.

### 机封配置 Mechanical Seal Configuration

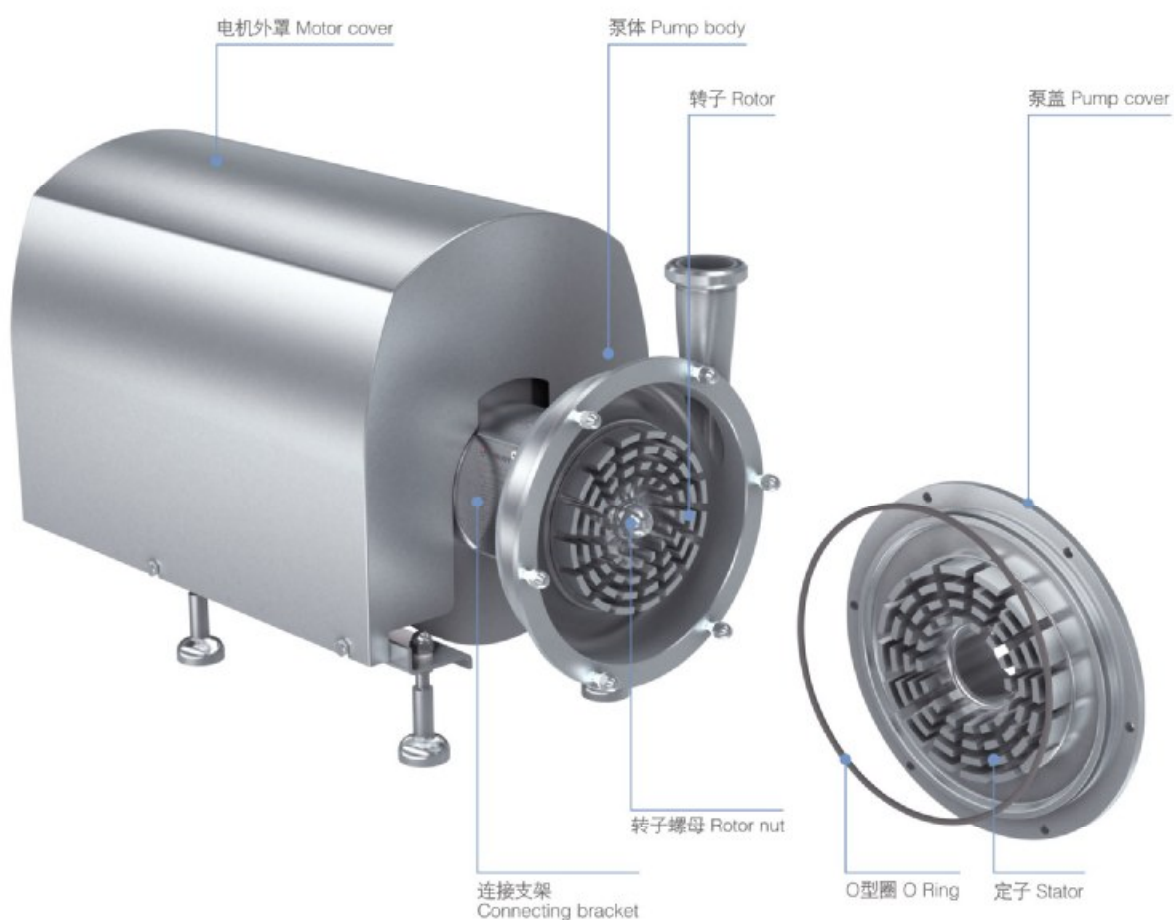
1)SIC/C/EPDM	标准配置Standard
2)SIC/C/FKM	选型配置Optional
3)SIC/C/HNBR	
4)SIC/SIC/EPDM	
5)SIC/SIC/FKM	
6)SIC/SIC/HNBR	
7)TC/TC/EPDM	
8)TC/TC/FKM	
9)TC/TC/HNBR	

注意：以上配置适用于单机封和双机封。  
Note: Above configurations is suitable for single and double mechanical seal



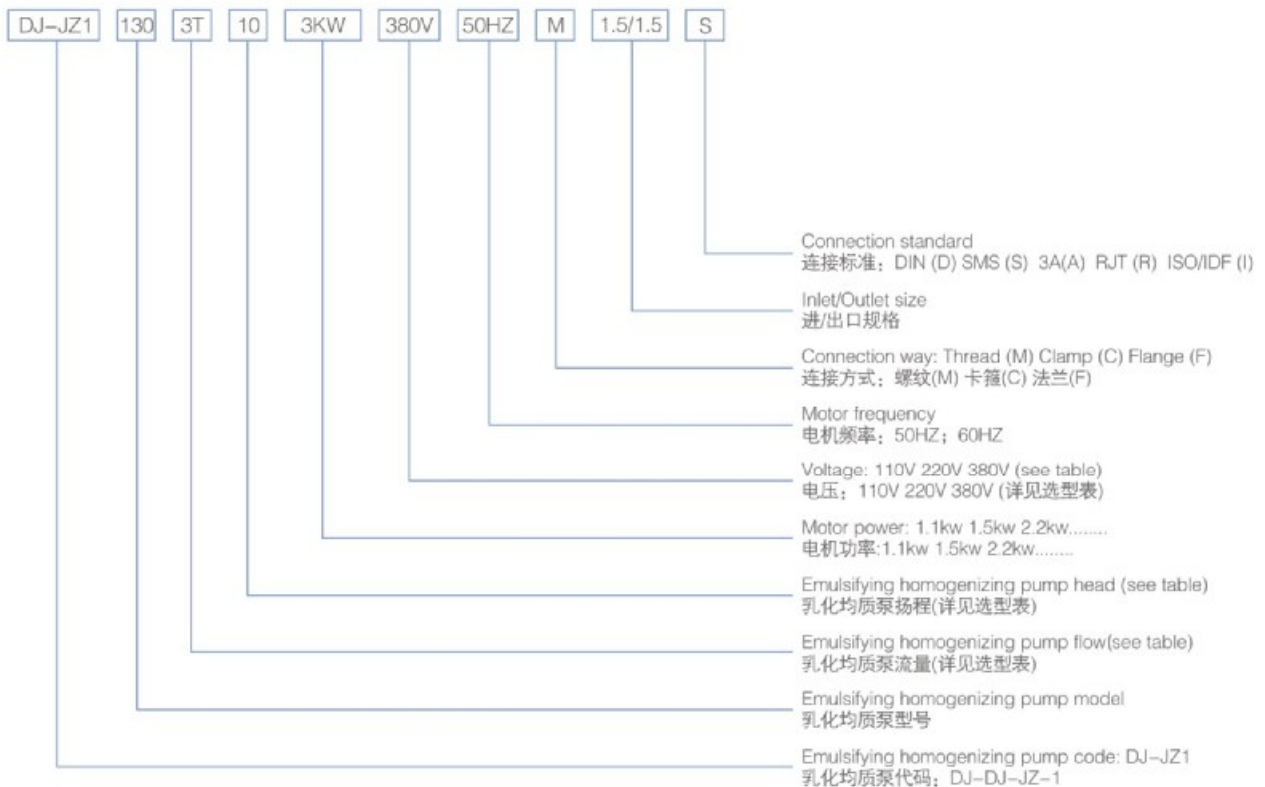
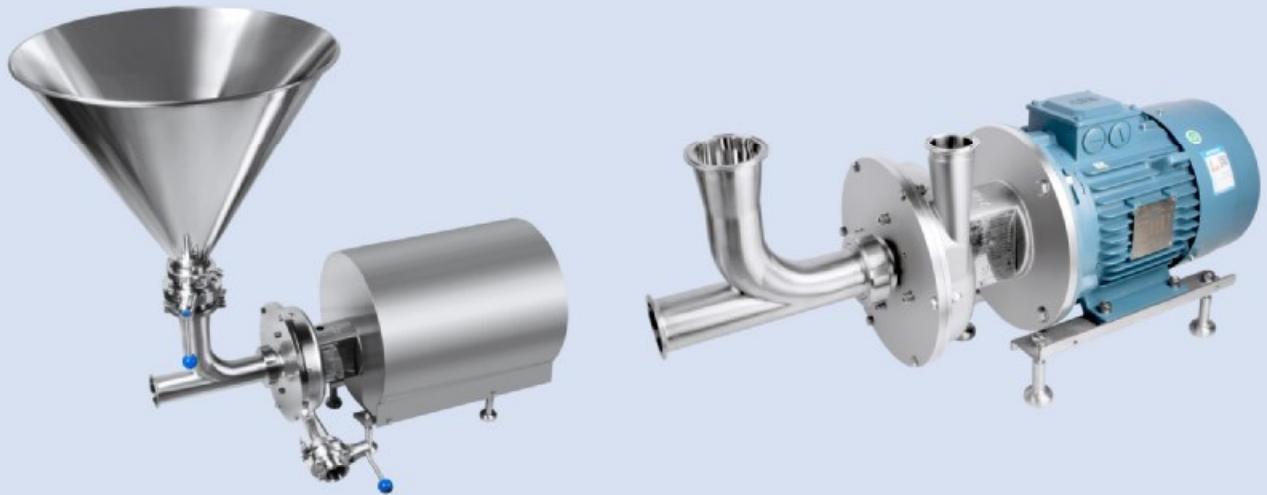
## DJ-JZ1 系列单级乳化均质泵 DJ-JZ1 series single stage emulsifying homogenizing pump

非常简单的维护、  
无需专用工具、专业人员  
Very simple maintenance,  
no special tools required, no  
professionals required



# DJ-JZ1 乳化均质泵型号说明

## DJ-JZ1 Emulsifying homogenizing pump model instruction



For example:  
 举例: DJ-JZ1-130-3T-10-3KW-380V-50HZ-M-1.5/1.5-S



## 单级乳化均质泵选型表

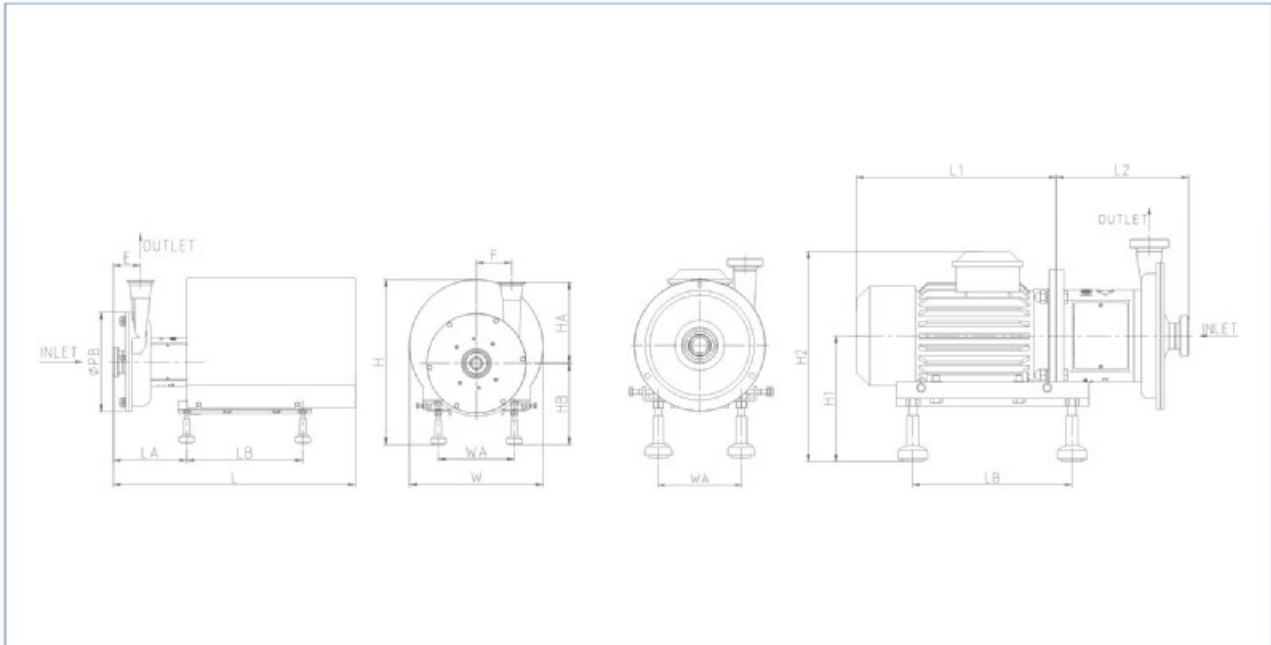
### Single stage emulsifying homogenizing pump selection table



型号 Model	功率 Power(kw)	流量 Flow(m <sup>3</sup> /h)	出口压力 Outlet pressure (bar)	转速 Rotate speed (r/min)	进/出口 Inlet/Outlet	重量 Weight (kg)
DJ-JZ1-130	3.0	3.0	1.0	2900	1.5"/1.5"	52.0
	4.0		1.0	2900		58.0
	5.5		1.0	2900		74.0
DJ-JZ1-150	4.0	6.0	1.5	2900	2"/1.5"	66.0
	5.5		1.5	2900		82.0
	7.5		1.5	2900		93.0
DJ-JZ1-170	5.5	10.0	1.5	2900	2.5"/2"	91.0
	7.5		1.5	2900		102.0
	11.0		1.5	2900		144.0
DJ-JZ1-190	7.5	15.0	1.5	2900	2.5"/2"	107.0
	11.0		1.5	2900		149.0
	15.0		1.5	2900		164.0
DJ-JZ1-210	11.0	25.0	1.5	2900	3"/2.5"	166.6
	15.0		1.5	2900		181.6
	18.5		1.5	2900		211.6
DJ-JZ1-240	15.0	40.0	1.5	2900	3"/2.5"	167.0
	18.5		1.5	2900		182.0
	22.0		1.5	2900		212.0

# 单级乳化均质泵数据表

## Single stage emulsifying homogenizing pump data sheet



型号 Model	功率 Power (kw)	进口 Inlet	出口 Outlet	Φ PB	F	LB	H	HB	HC	W	WA	L1	H2	SMS 螺纹连接				INCH 卡箍连接				DIN螺纹连接			
														Thread				Clamp				Thread			
														E	LA	HA	L	E	LA	HA	L	E	LA	HA	L
DJ-JZ1-130	3.0KW	1.5"	1.5"	220	76.5	300	413	218	94.8	320	160	316	338.8	59	158	146	583	52	150	139	576	59	158	146	583
	4.0KW			220	76.5	300	421	210	94.8	340	190	351	350.8	59	165	146	584	52	157	139	577	59	165	146	584
	5.5KW			220	76.5	330	466	231	94.8	380	216	399	399.8	59	174	146	654	52	166	139	647	59	174	146	654
DJ-JZ1-150	4.0 KW	2"	1.5"	266	98	300	421	210	94.8	340	190	351	350.8	66	164	160	584	59	156	153	577	67	164.5	160	585
	5.5-7.5KW			266	98	330	466	231	94.8	380	216	399	399.8	66	173	160	654	59	165	153	647	67	173.5	160	655
DJ-JZ1-170	5.5-7.5 KW	2.5"	2"	282	100.5	330	466	231	94.8	380	216	399	399.8	77.5	210	200	689	66	199	193	677	76.5	209	201	688
	11KW			282	100.5	450	551	260	94.8	470	254	576.5	511.8	77.5	193	200	767	66	181	193	755	76.5	191.5	201	766
DJ-JZ1-190	7.5 KW	2.5"	2"	328	127.5	330	466	231	94.8	380	216	399	399.8	72.5	207	210	686	61	196	203	674	71.5	206	210	685
	11-15KW			328	127.5	450	551	260	94.8	470	254	576.5	511.8	72.5	190	210	764	61	178	203	752	71.5	188.5	210	763
DJ-JZ1-210	11-15 KW	3"	2.5"	360	141	450	551	260	94.8	470	254	576.5	512.8	74.5	227	235	801	63	215	223	789	73.5	225.5	235	800
	18.5KW			360	141	450	551	260	94.8	470	254	576.5	512.8	74.5	227	235	801	63	215	223	789	73.5	225.5	235	800
DJ-JZ1-240	15-18.5KW	3"	2.5"	360	141	450	551	260	94.8	470	254	576.5	512.8	74.5	227	235	801	63	215	223	789	73.5	225.5	235	800
	22KW			360	141	515	583	281	94.8	510	279	573	533.8	74.5	227	235	896	63	215	223	884	73.5	225.5	235	895

注意：以上数据图相关尺寸不作为实物最终依据，东正保留对于数据更新权限不再另行通知。

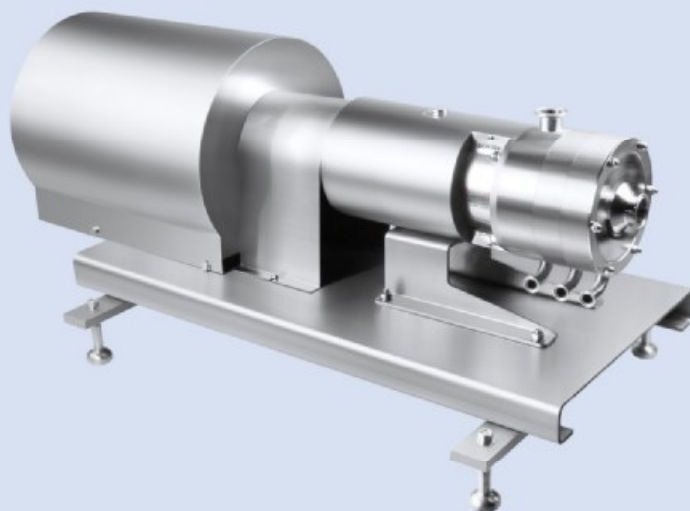
Note: The relevant dimensions of the above data diagrams are not regarded as the final basis of the actual object. DONJOY keep the right to update the data without further notice.



# DJ-JZ3 系列多级乳化均质泵

## DJ-JZ3 series multi-stage emulsifying homogenizing pump

高效、分散、剪切、细化、破碎、  
乳化、混合、均质、高洁净的解决方案  
High-efficiency, dispersion, cut,  
refinement, smash, emulsification, mixing,  
homogenization, high purity solution



JZ3系列是一款由定子和转子组成的在线连续性生产的乳化均质泵，被处理的物料将经过三级共12层转子和定子被逐级分散、剪切、细化、破碎、乳化、混合、均质等。该泵相比较传统生产工艺更加简单方便和优化，提高了生产效率、提升了被处理物料的质量。主要应用于，食品、饮料、制药、保健、精细化工、涂料、农药、日化洗涤、造纸等各种工业领域。

Jz3 series is online continuity production emulsification homogeneous pump, and is composed by stators and rotors, processed materials will be stepwise dispersed, sheared, refined, crushed, emulsified, mixed and homogenized through three grades twelve-tier stators and rotors. and then be dispersed, cut, refined, smashed, emulsified, mixed etc. step by step. Compared with traditional manufacturing technique, this pump is more easier, convenient and optimized, which has improved production efficiency and promoted media quality. It's mainly used in the industry of food, beverage, pharmacy, health protection, fine chemistry, coating, pesticide, daily chemical, papermaking etc.

### 技术参数 Technical Specifications

最大流量 Max flow rate	50m <sup>3</sup> /h
最大功率 Max power	90KW
最高温度 Max temperature	-20°C to 140°C
物料细化 Media refinement	≤ 100 GRIT (≈ 200 μm) ≤ 100目mesh (约about 200 μm)
材质 Material	304 /316L, 1.431/1.4404, ASME BPE 316L, 1.4435 NB2 Fe≤0.5%
表面处理 Surface treatment	≤ Ra0.8 μm, ≤ Ra0.6 μm, ≤ Ra0.4 μm
机封 Mechanical seal	单机封和双机封 Single and double mechanical seals
机封组合 Mechanical seal combination	详见配置表 See configuration table
进/出口连接 Inlet/outlet connection	螺纹、卡箍、法兰、无菌法兰 Thread, clamp, flange, Aseptic flange
认证 Certification	3-A-02-10(N.O.1579); MD/06/42-EC (N.O.70521616101-00); FDA 177.2600; USP CLASS-II; EG/VO1935/2004;

# DJ-JZ3 系列多级乳化均质泵

## DJ-JZ3 series multi-stage emulsifying homogenizing pump



### 技术优势

- 维护拆卸和安装时，无需专业人员和专用工具，即可完成。
- 初始使用安装调试时，即使出现短暂反向旋转也不会损坏。
- 转子和轴是通过键槽连接。

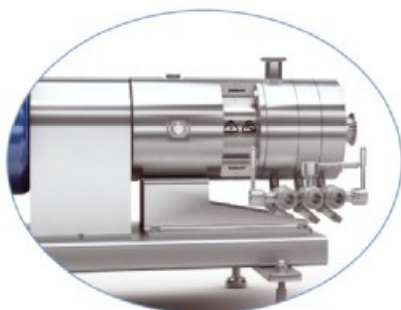
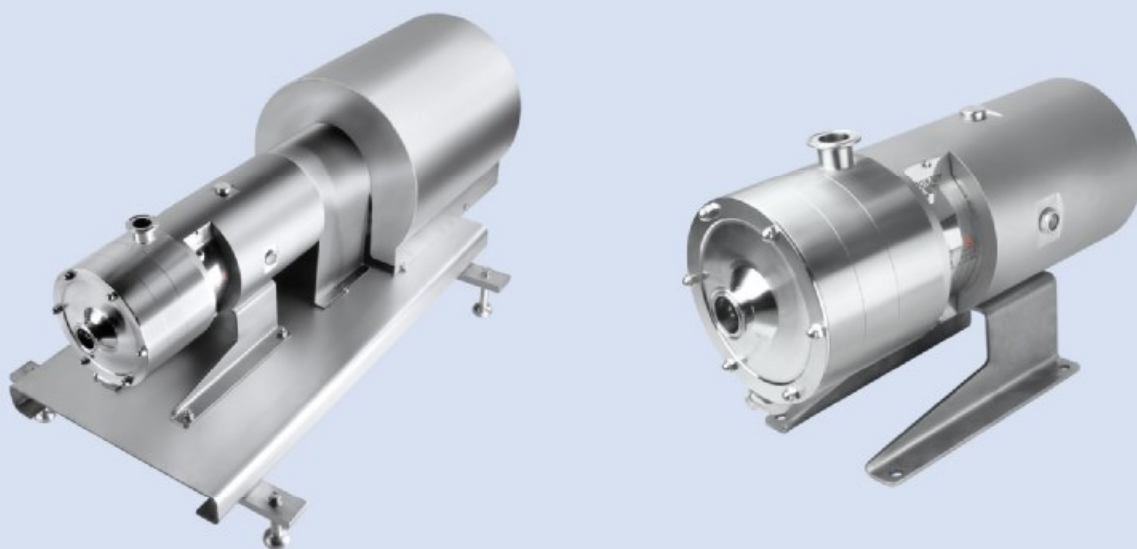
### Technical Advantages

- Maintenance disassembly and installation can be completed without professional staff and special tools.
- Initial use of installation debugging, the motor will not be damaged even if after a short reverse rotation.
- The impeller and shaft are connected by the key groove.

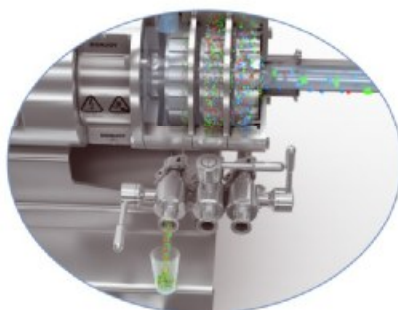


# DJ-JZ3 系列多级乳化均质泵工作原理图

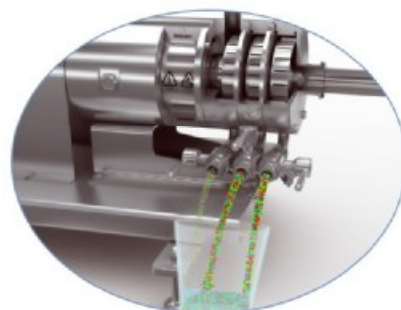
## DJ-JZ3 series multistage emulsifying homogenizing pump working schematic diagram



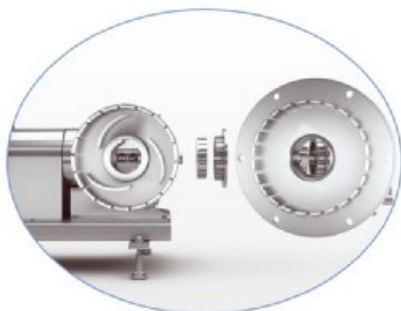
低排泄阀  
Bottom drain valve



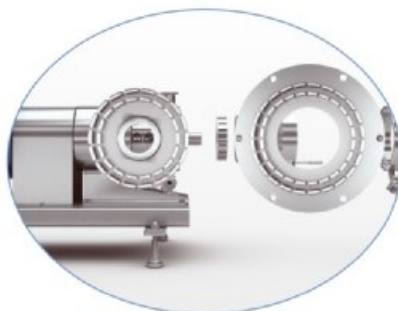
单级排放或取样  
Single-stage discharge or sampling



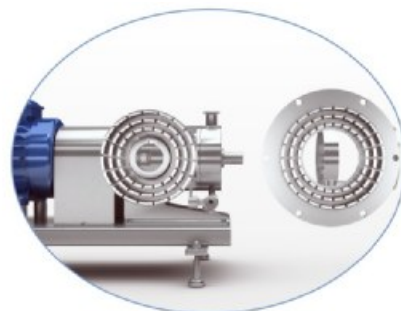
全部排放或取样  
All discharge or sampling



第一级定子和转子  
First stage stators and rotors



第二级定子和转子  
Second stage stators and rotors



第三级定子和转子  
Thrid stage stators and rotors

# 典型应用行业 Typical applications



## 食品饮料 Food & beverage

果汁、果酱、冰淇淋、乳制品、食品添加剂、茶饮料、巧克力、豆奶、香精、乳制品。

Juice, jam, ice cream, dairy products, food additives, tea drinks, chocolate, soymilk, essence.



## 日用化工 Daily chemical

液体洗涤剂、洗手液、洗面乳、硅油乳化、日用香精、护肤品、化妆品。

Liquid detergent, liquid soap, facial cleanser, emulsified silicone oil, fragrance compound, skin care product, cosmetics.



## 生物制药 Bio-pharmaceutical

注射剂、抗生素、药乳液、药乳膏、保健品、微胶囊乳化、细胞组织破碎等。

Injection, antibiotic, medicine emulsion, medicine emulsifiable paste, health care products, microcapsula emulsification, cell tissue smash etc.



## 造纸 Papermaking

纸浆、填料、干强剂、湿强剂、施胶剂、助留助滤剂、消泡剂、涂布、水处理化学品等。

Paper pulp, padding, dry strength agent, wet strength agent, sizing agent, retention and drainage aid, antifoaming agents, coating, water treatment chemicals etc.



## 石油化工 Petrochemical industry

润滑油、重油乳化、柴油乳化、改性沥青、催化剂、蜡乳剂等各种工业石油化工所需均质和乳化的介质。

Lubricant, heavy oil emulsification, diesel oil emulsification, modified asphalt, catalyzer, wax emulsion etc. homogeneous and emulsified media required for various industrial petrochemical.



## 精细化工 Fine chemical engineering

颜料、染料、塑料助剂、纺织助剂、胶黏剂、树脂乳化、热熔胶、密封胶、胶水、浆料、整理剂、表面活性剂、均染剂、炭黑分散、防粘剂、织物整理剂、光亮剂、皮革助剂、颜料膏等各种化工类所需的乳化和均质及混合物料等。

Pigment, dyestuff, plastic additive, textile assistant, adhesive, resin emulsification, hot melt adhesive, sealant, glue, sizing agent, finishing agent, surfactant, dye leveller, carbon black dispersion, anti-sticking agent, textile finishing agent, brightener, leather auxiliaries, pigment paste, and emulsifying, homogenizing and mixing materials for various chemical industries.



## 涂料和油墨 Coating & ink

印刷油墨、油漆、乳胶漆、涂料、纳米涂料、光固化涂料、涂料阻剂、炭黑分散、釉、膨润土等。

Printing ink, oil paint, emulsion paint, coating, nano-paint, photocurable coating, coating adhesive, carbon black dispersion, glaze, bentonite etc.



## 农药 Pesticide

杀虫剂、除草剂、农药乳油、肥料、农药助剂等各种农药所需乳化均质混合的介质。

Agricultural medicine: medium for emulsification and homogenization of various pesticides such as insecticide squeezing, herbicide, pesticide emulsifiable concentrate, fertilizer and pesticide auxiliaries.



## 半导体 Semiconductor

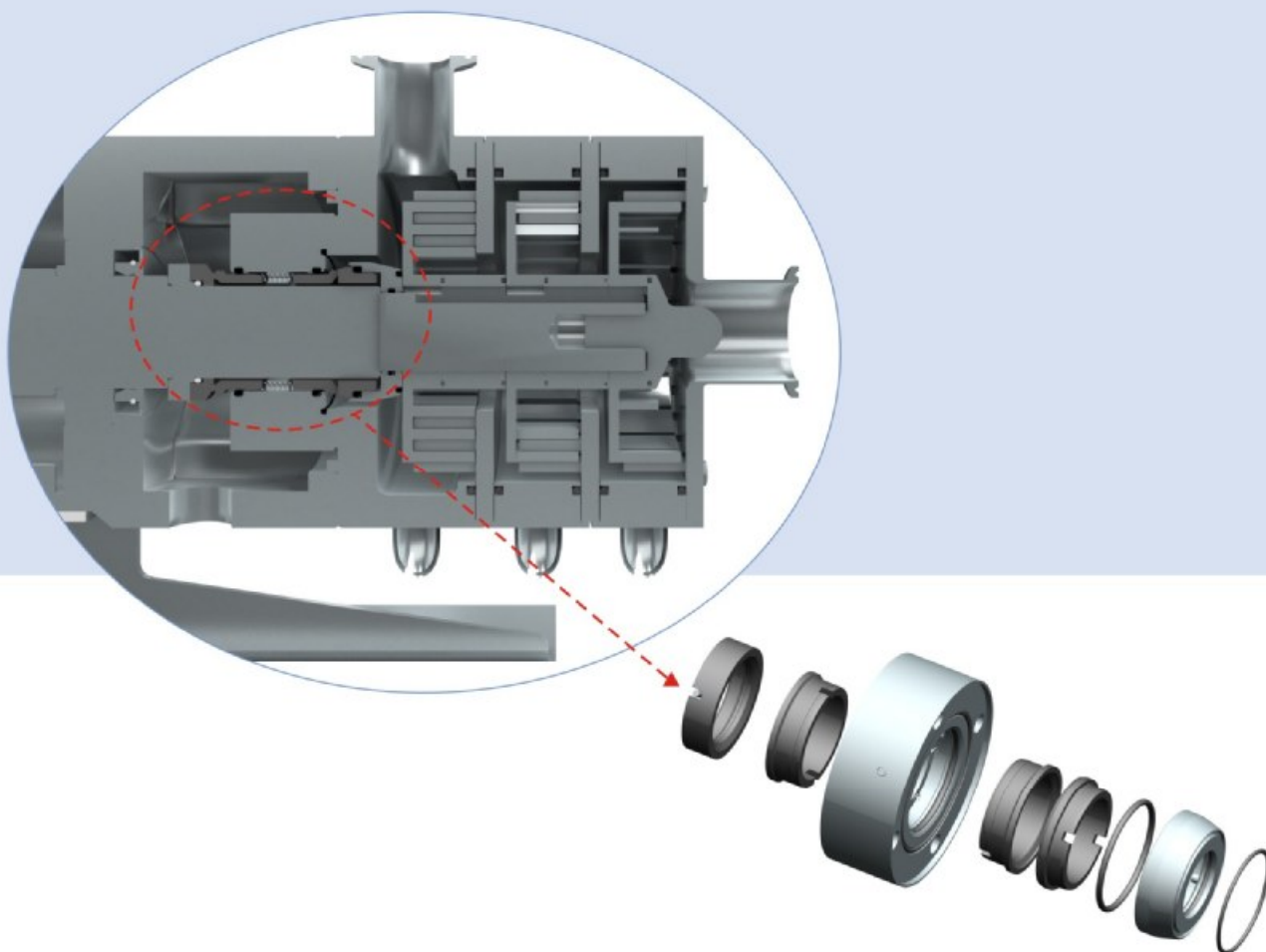
纳米材质分散、解聚等。

Dispersion & depolymerization of nanometer materials etc.



# DJ-JZ3 系列多级乳化均质泵机封设计

## DJ-JZ3 Series multistage emulsifying homogenizing pump mechanical seal design



### 机封系统

DONJOY DJ-JZ3 系列多级均质泵机封，联合欧洲瑞典著名公司合作研发，机封设计具有压力平衡设计、超长使用寿命、极易拆装维护、无需特殊专用工具，卫生洁净符合和认证：欧盟 EHEDG，美国 3-A-02-11，FDA1772600 等高洁净要求。并有丰富的机封配置方案。

### Mechanical Seal System

Donjoy DJ-JZ3 series multi-stage homogenizing pump mechanical seal is researched and developed together with European Swedish famous company. The mechanical seal is designed with pressure balance and super long working life, can be disassembled and maintained easily without special tools. The sanitary purity is according to EU EHEDG, USA 3-A-02-11, FDA1772600 and so on. and has lots of configuration.

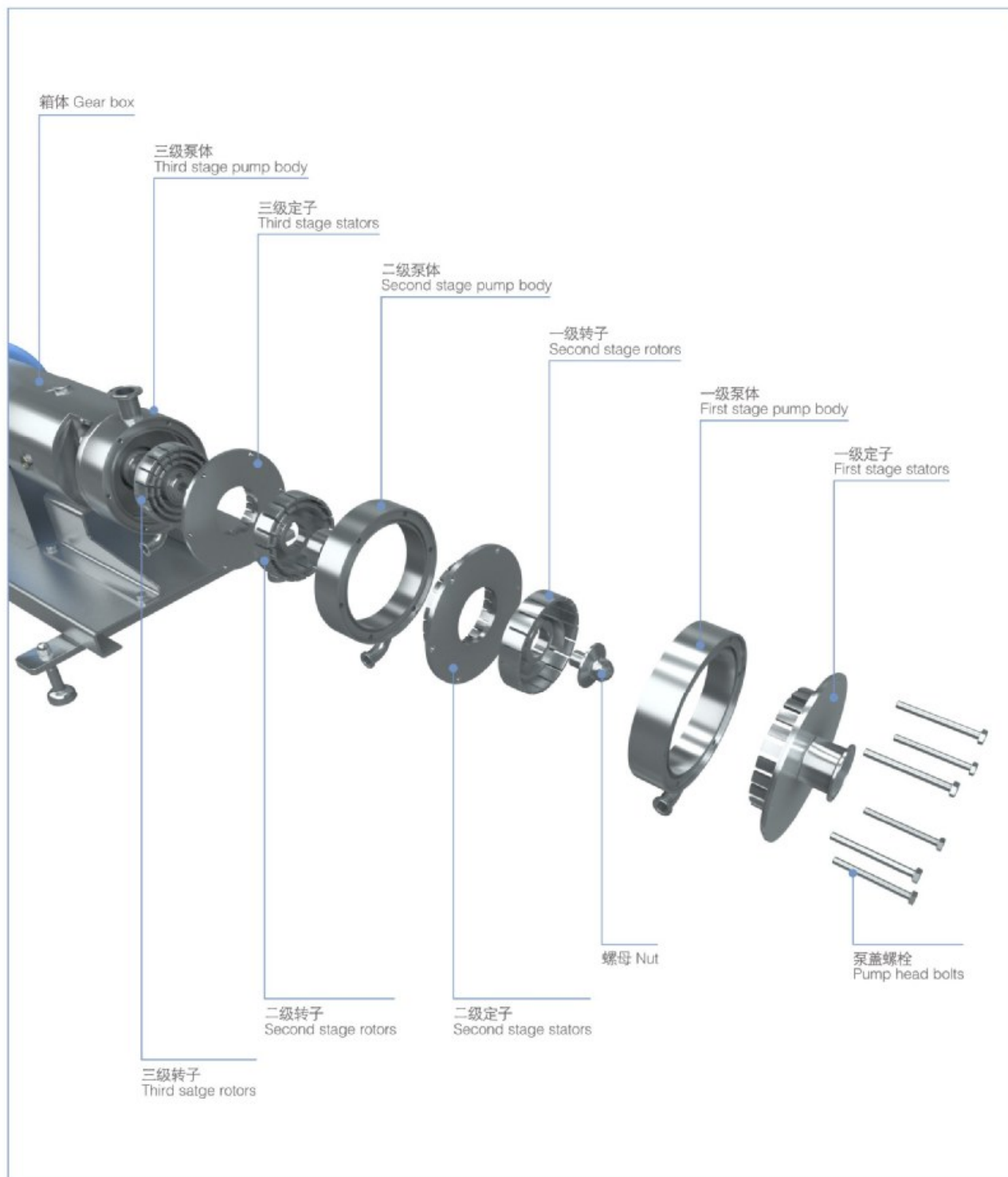
### 机封配置 Mechanical Seal Configuration

1)SIC/C/EPDM	标准配置Standard
2)SIC/C/FKM	选型配置Optional
3)SIC/C/HNBR	
4)SIC/SIC/EPDM	
5)SIC/SIC/FKM	
6)SIC/SIC/HNBR	
7)TC/TC/EPDM	
8)TC/TC/FKM	
9)TC/TC/HNBR	

注意：以上配置适用于双机封。  
Note: The above configuration is suitable for double mechanical seal.

## 多级均质泵配件组成

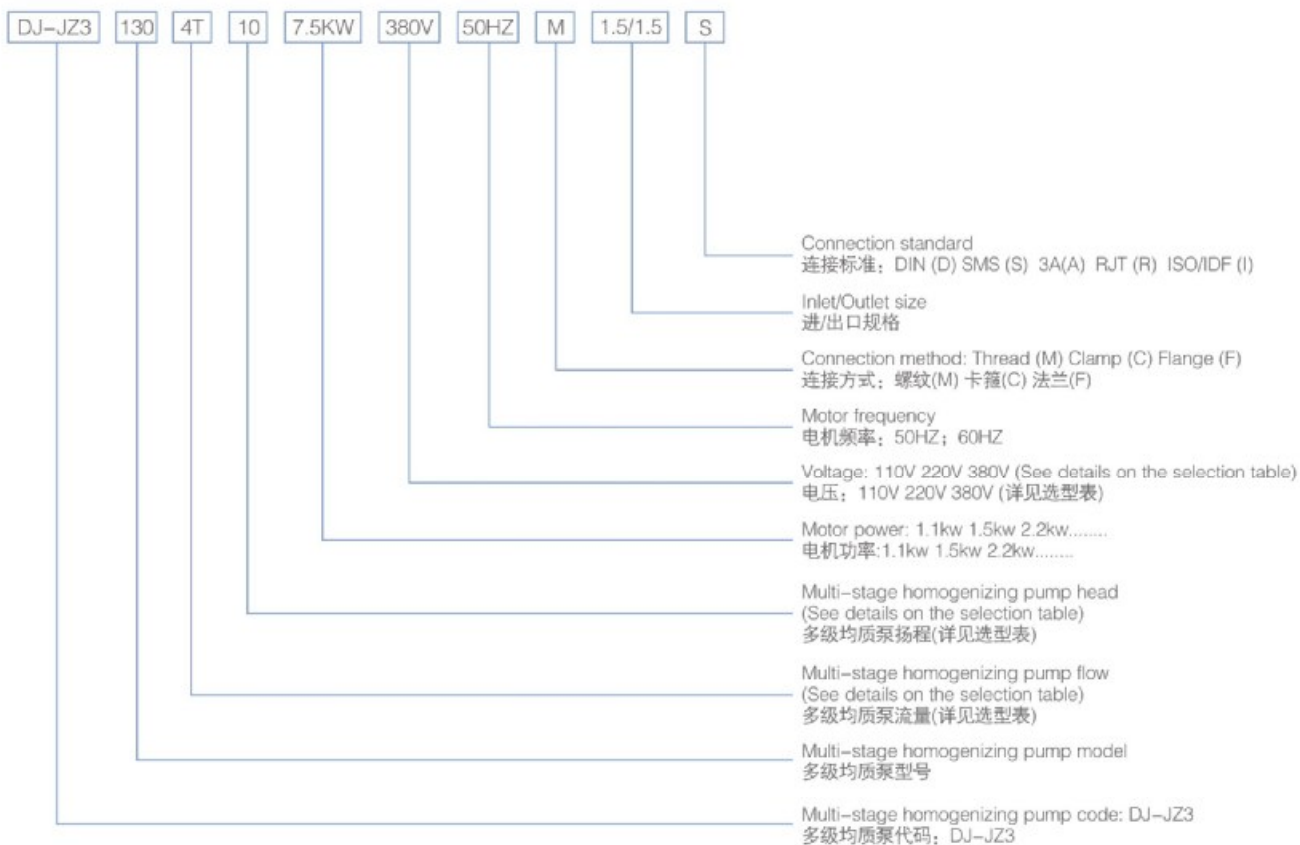
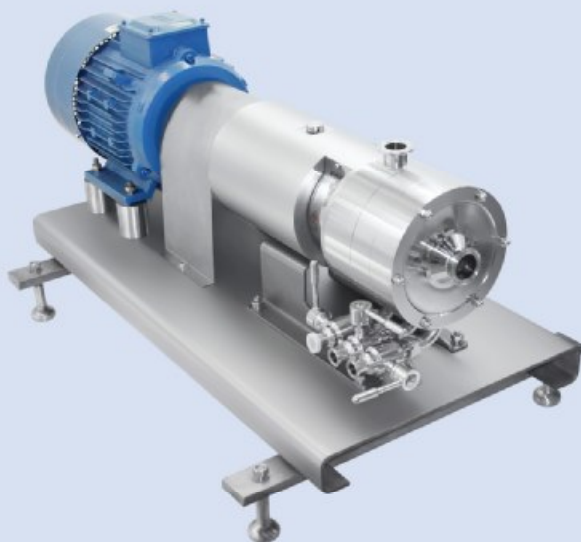
## Multistage homogenizing pump spare parts component





# DJ-JZ3 系列多级乳化均质泵型号说明

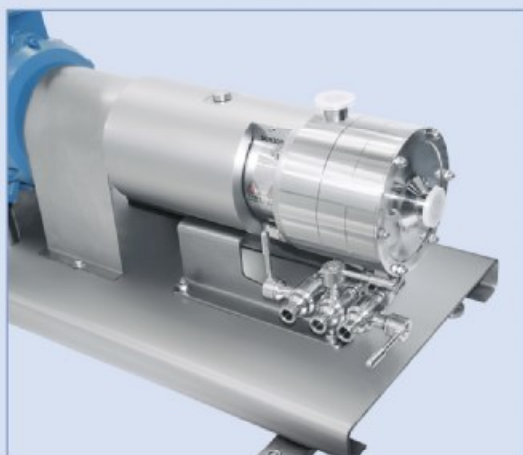
## DJ-JZ3 series multi stage emulsifying homogenizing pump model instruction



For example:  
 举例: DJ-JZ3-130-4T-10-7.5KW-380V-50HZ-M-1.5/1.5-S

## DJ-JZ3 系列多级乳化均质泵选型表

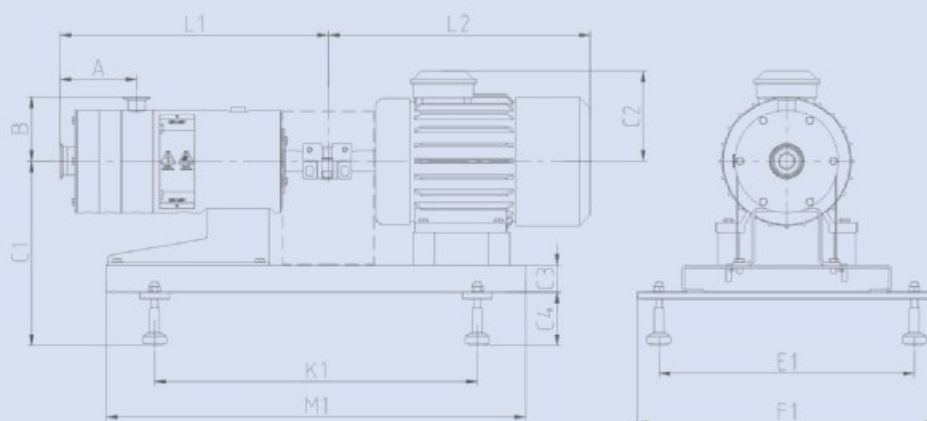
### DJ-JZ3 series multi stage emulsifying homogenizing pump selection table



型号 Model	功率 Power(kw)	流量 Flow(m <sup>3</sup> /h)	出口压力 Outlet pressure (bar)	转速 Rotate speed (r/min)	进口 Inlet	出口 Outlet	重量 Weight (kg)
DJ-JZ3-130	7.5	4.0	1.0	2900	1.5"-DN40	1.5"-1.1/4"	139.5
	11		2.0				183.5
DJ-JZ3-150	11	6.0	2.0	2900	2"-DN50	1.5"-DN40	189.8
	15		2.0				202.8
DJ-JZ3-170	15	12.0	2.0	2900	2"-2.5"	2"-DN50	237.2
	18.5		4.0				245.2
DJ-JZ3-190	22	20.0	2.0	2900	3"-DN65	2"-2.5"	296.9
	30		5.0				346.9
DJ-JZ3-210	45	30.0	2.0	2900	3"-DN80	2.5"-DN65	433
	55		5.0				494
DJ-JZ3-240	75	50.0	2.0	2900	4"-DN100	3"-DN80	806
	90		5.0				846

# DJ-JZ3 系列多级乳化均质泵安装尺寸数据表

## DJ-JZ3 series multi stage emulsifying homogenizing pump installation size data sheet



型号 Model	功率 Power(kw)	进口 Inlet	出口 Outlet	C1	C3	C4	E1	F1	K1	M1	L1	L2	C2	A (°)	B (°)
DJ-JZ3-130	7.5KW	1.5"-DN40	1.5"-1.1/4"	342	50	99	475	555	600	780	577	531	169	144	124
	11KW			342	50	99	475	555	600	780	577	597	253	144	124
DJ-JZ3-150	11KW	2"-DN50	1.5"-DN40	334	50	99	475	555	600	780	540	597	253	177	139
	15KW			334	50	99	475	555	600	780	540	597	253	177	139
DJ-JZ3-170	15KW	2"-2.5"	2"-DN50	377	50	99	545	625	920	1100	590	597	253	226	155
	18.5KW			377	50	99	545	625	920	1100	590	597	253	226	155
DJ-JZ3-190	22KW	3"-DN65	2"-2.5"	395	50	99	545	625	920	1100	647	693	254	283	169
	30KW			395	50	99	545	625	920	1100	647	738	273	283	169
DJ-JZ3-210	45KW	3"-DN80	2.5"-DN65	415	50	99	545	625	920	1100	700	834	314	323	184
	55KW			415	50	99	545	625	920	1100	700	892	335	323	184
DJ-JZ3-240	75KW	4"-DN100	3"-DN80	440	50	99	695	775	1420	1600	790	992	495	413	210
	90KW			440	50	99	695	775	1420	1600	790	1062	495	413	210

注意：以上数据图相关尺寸不作为实物最终依据，东正保留对于数据更新权限不再另行通知。

Note: The relevant dimensions of the above data diagrams are not regarded as the final basis of the actual object. DONJOY reserves the right to update the data without further notice.

说明：带有(°A)和(°B)尺寸是根据卡箍连接的尺寸，如果采用其他的接口法兰尺寸会有差别，如需详细请联系我们。

Note: The dimensions with (°A) and (°B) are based on the size of the clamp connection. Flange size will be different if use other connection, please contact us for details.





DONJOY looking forward to your visit! Your telecommunications!



## 东正科技有限公司 DONJOY TECHNOLOGY CO., LTD

地址: 温州空港新区港富路25号  
总机: 0577 8699 0888  
传真: 0577 8699 8000

ADD: No.25 Gangfu Road, Konggang  
New District, Longwan, Wenzhou, China  
TEL: +86 577 8699 0888  
FAX: +86 577 8699 8000  
E-mail: donjoy@cndonjoy.com

[www.cndonjoy.com](http://www.cndonjoy.com)

### 法律声明:

目录样册版权归东正所有, 如有抄袭, 必将追究其法律责任和经济赔偿。  
东正已获得国家版权局书刊号。东正诸多产品技术, 都具有专利保护, 如有抄袭, 必将追究法律责任和经济赔偿。

### Legal statement:

Copyright of the catalogue belongs to Donjoy. If there is plagiarism, it will be investigated for legal responsibility and economic compensation. Donjoy has been granted publications number by Chinese National Copyright. Donjoy products and technology are with patent protection. If there is plagiarism, it will be investigated for legal responsibility and economic compensation.